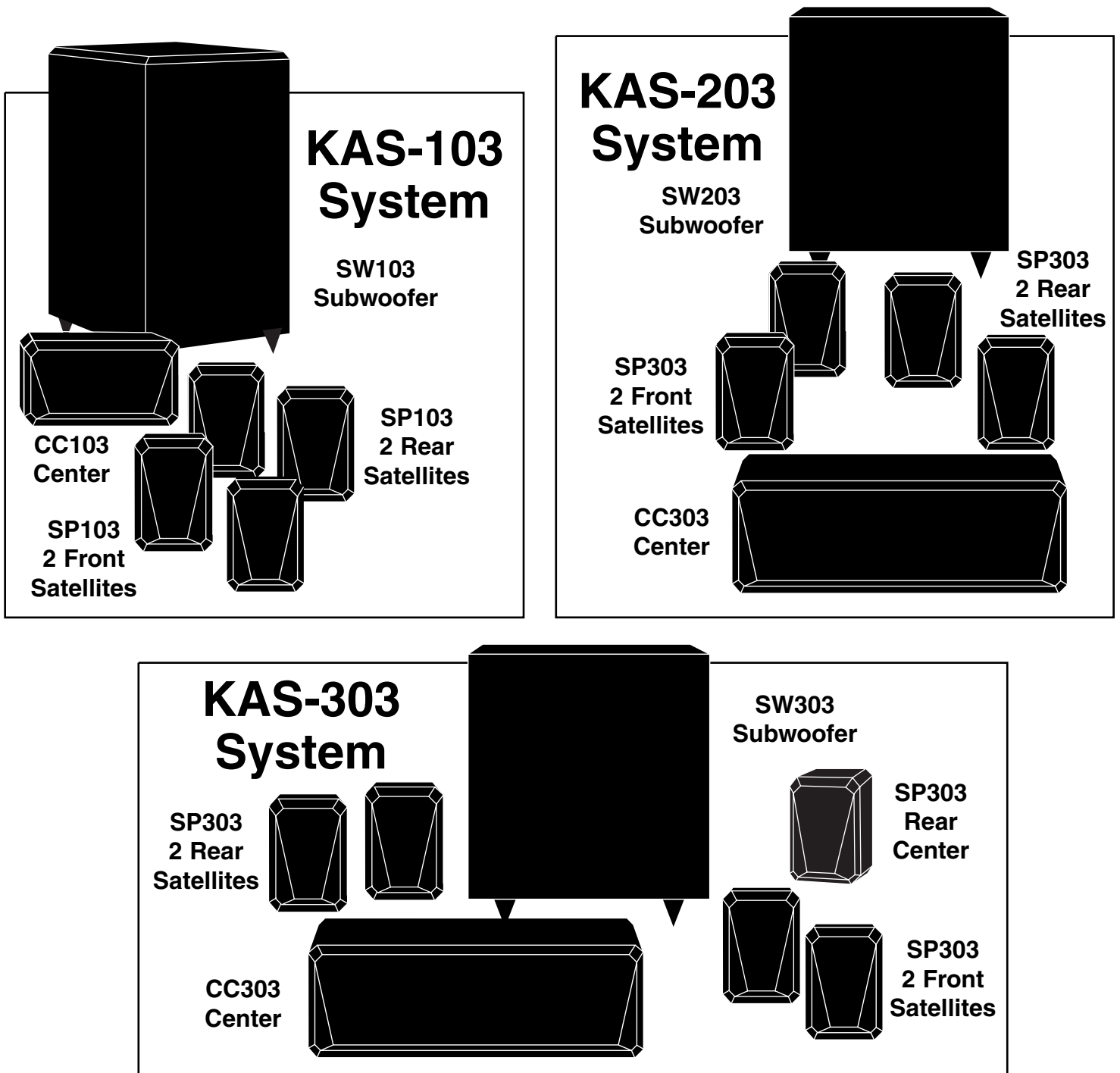


Gateway[®]

Owner's Manual



Video-Shielded Home Theater Speaker Systems by Gateway[®]
Designed and engineered in the U.S.A.

IMPORTANT SAFETY INSTRUCTIONS

NO USER SERVICEABLE PARTS INSIDE.



WARNING:

TO REDUCE THE RISK OF FIRE OR ELECTRIC SHOCK. DO NOT EXPOSE THIS APPLIANCE TO RAIN OR MOISTURE

2



The lightning flash with arrowhead symbol within an equilateral triangle is intended to alert the user to the presence of uninsulated “dangerous voltage” within the product’s enclosure that may be of sufficient magnitude to constitute a risk of electric shock to persons.

Le symbole éclair avec point de flèche à l’intérieur d’un triangle équilatéral est utilisé pour alerter l’utilisateur de la présence à l’intérieur du coffret de “voltage dangereux” non isolé d’ampleur suffisante pour constituer un risque d’électrocution.



The exclamation point within an equilateral triangle is intended to alert the user to the presence of important operating and maintenance (servicing) instructions in the literature accompanying the product.

Le point d’exclamation à l’intérieur d’un triangle équilatéral est employé pour alerter les utilisateurs de la présence d’instructions importantes pour le fonctionnement et l’entretien (service) dans le livret d’instruction accompagnant l’appareil.

1. Read these instructions — Read all the safety and operation instructions before operating the KAS-103/KAS-203/KAS-303 System.
2. Keep these instructions — Keep the safety and operating instructions for future reference.
3. Heed all warnings — Follow all warnings on the KAS-103/KAS-203/KAS-303 System and in these operating instructions.
4. Follow all instructions — Follow all operating and other instructions.
5. Do not use this apparatus near water — for example, near a bathtub, washbowl, kitchen sink, laundry tub, in a wet basement or near a swimming pool.
6. Clean only with dry cloth.
7. Do not block any ventilation openings. Install in accordance with the manufacturer’s instructions.
8. Do not install near any heat sources such as radiators, heat registers, stoves, or other apparatus (including amplifiers) that produce heat.
9. Do not defeat the safety purpose of the polarized or grounding-type plug. A polarized plug has two blades with one wider than the other. A grounding-type plug has two blades and a third

- grounding prong. The wide blade or the third prong are provided for your safety. If the provided plug does not fit into your outlet, consult an electrician for replacement of the obsolete outlet.
10. Protect the power cord from being walked on or pinched particularly at plugs, convenience receptacles, and the point where they exit from the apparatus.
 11. Only use attachments/accessories specified by the manufacturer.
 12. Unplug this apparatus during lightning storms or when unused for long periods of time.
 13. Refer all servicing to qualified service personnel. Servicing is required when the apparatus has been damaged in any way, such as power-supply cord or plug is damaged, liquid has been spilled or objects have fallen into the apparatus, the apparatus has been exposed to rain or moisture, does not operate normally, or has been dropped.
 14. **WARNING:** To reduce the risk of fire or electric shock, this apparatus should not be exposed to rain or moisture and objects filled with liquids, such as vases, should not be placed on this apparatus.

15. To completely disconnect this equipment from the mains, disconnect the power supply cord plug from the receptacle.

16. The mains plug of the power supply cord shall remain readily operable.

17. Connect the KAS-103/KAS-203/KAS-303 System to a power supply of the type described in these operation instructions or as marked on the KAS-103/KAS-203/KAS-303 System.

18. To prevent electric shock, do not use the KAS-103/KAS-203/KAS-303 System polarized plug with an extension cord, receptacle or other outlet unless the blades can be fully inserted to prevent blade exposure.

Pour prévenir les chocs électriques ne pas utiliser cette fiche polarisée avec un prolongateur, un prise de courant ou une autre sortie de courant, sauf si les lames peuvent être insérées à fond sans laisser aucune partie à découvert.

19. Internal/External Voltage Selectors — Internal or external line voltage selector switches, if any, should only be reset and re-equipped with a proper plug for alternate voltage by a qualified service technician.

This apparatus does not exceed the Class A/Class B (whichever is applicable) limits for radio noise emissions from digital apparatus as set out in radio interference regulations of the Canadian Department of Communications.

ATTENTION — Le présent appareil numérique n’émet pas de bruits radioélectriques dépassant les limites applicables aux appareils numériques de class A/de class B (selon le cas) prescrites dans le règlement sur le brouillage radioélectrique édicté par les ministere des communications du Canada.

TABLE OF CONTENTS

A. UNPACKING	3
B. PLACEMENT	3
C. SETUP	5
D. INITIAL LISTENING TESTS AND ADJUSTMENTS	7
E. TROUBLESHOOTING AND SERVICE	8
F. SPECIFICATIONS	8

A

UNPACKING

Carefully remove your new Gateway® speakers from their boxes, avoiding staples which can cause damage to the cabinets. Inspect each speaker for transit damage. If you discover damage, contact Gateway® immediately.

Save your cartons – they are the best possible protection for your speakers should you ever have a need to move them.

B

PLACEMENT Positioning Your Subwoofer

See the subwoofer owner's manual.

Positioning Your Satellites

Refer to Figure 1 for satellite speaker placement. Front channel speakers should be placed at least 6 feet apart to create proper stereo imaging. The rear channel surround speakers should be positioned behind and slightly to the sides of the viewer/listener. The rear center speaker should be positioned at the

3

The Optimum Listening Position 4 or 5 Speaker Surround Sound Setup

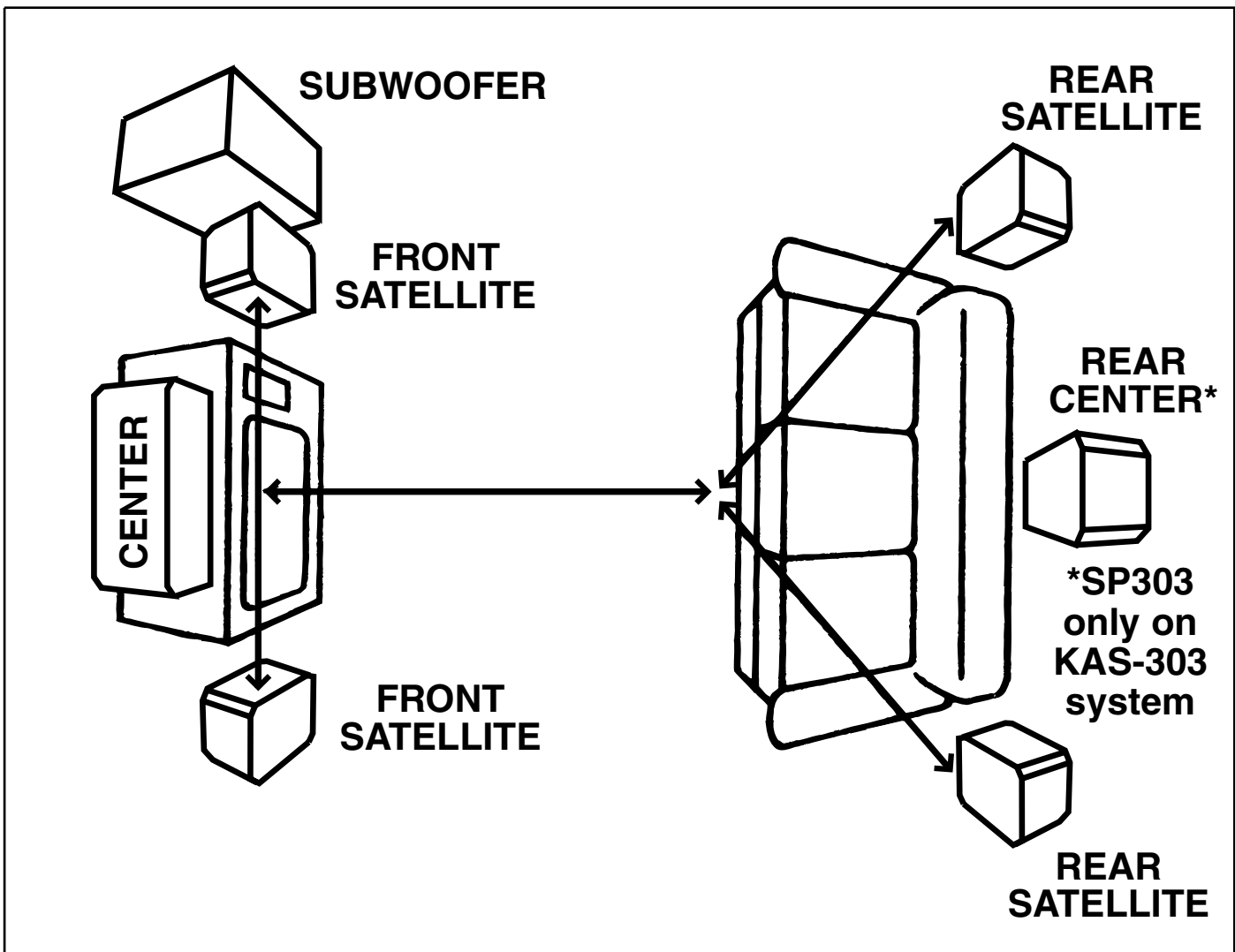


Figure 1

same height as the two surround speakers, but centered on the wall between them. It may take some experimentation with different locations for the surround speakers to suit your preference and your room. The center channel speaker should be placed as close to the TV as possible, preferably directly above or below the set.

Each satellite is supplied with a mounting bracket to allow hanging the speaker system on the wall. All that is needed is a good solid mount in the wall (into a wood stud if possible) to securely hold the weight of the speaker. Leave approximately $\frac{1}{8}$ " of a screw head exposed from the wall and the keyhole slot in the mounting bracket will slide down over the head of the screw to hang the speaker on the wall (Figure 2).

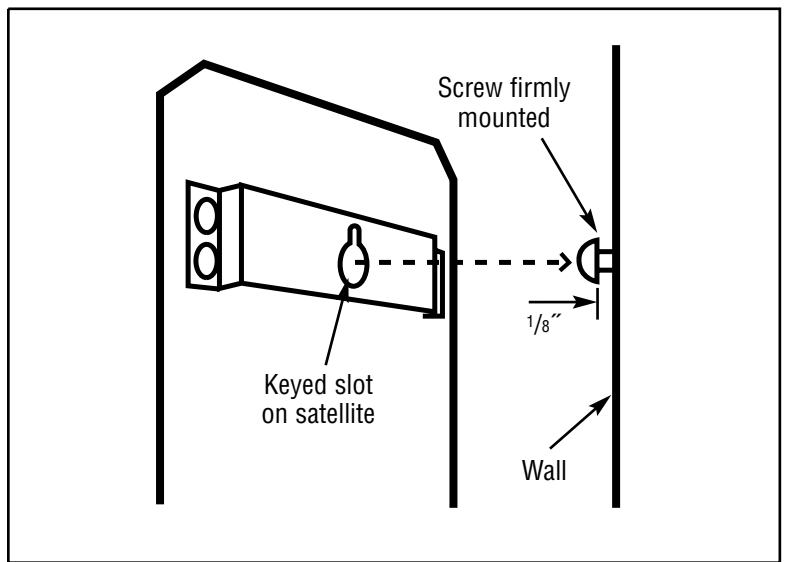


Figure 2

See Figure 3. The metal bracket supplied on the rear of each satellite can be removed and an aftermarket swivel-type satellite mount can be used. Your Gateway® satellite speaker will accommodate both the “Omnimount 10 Series” and the “Sound Gear SATP Series” and other manufacturers’ mounts. Follow the instructions included with the mount for proper wall attachment.

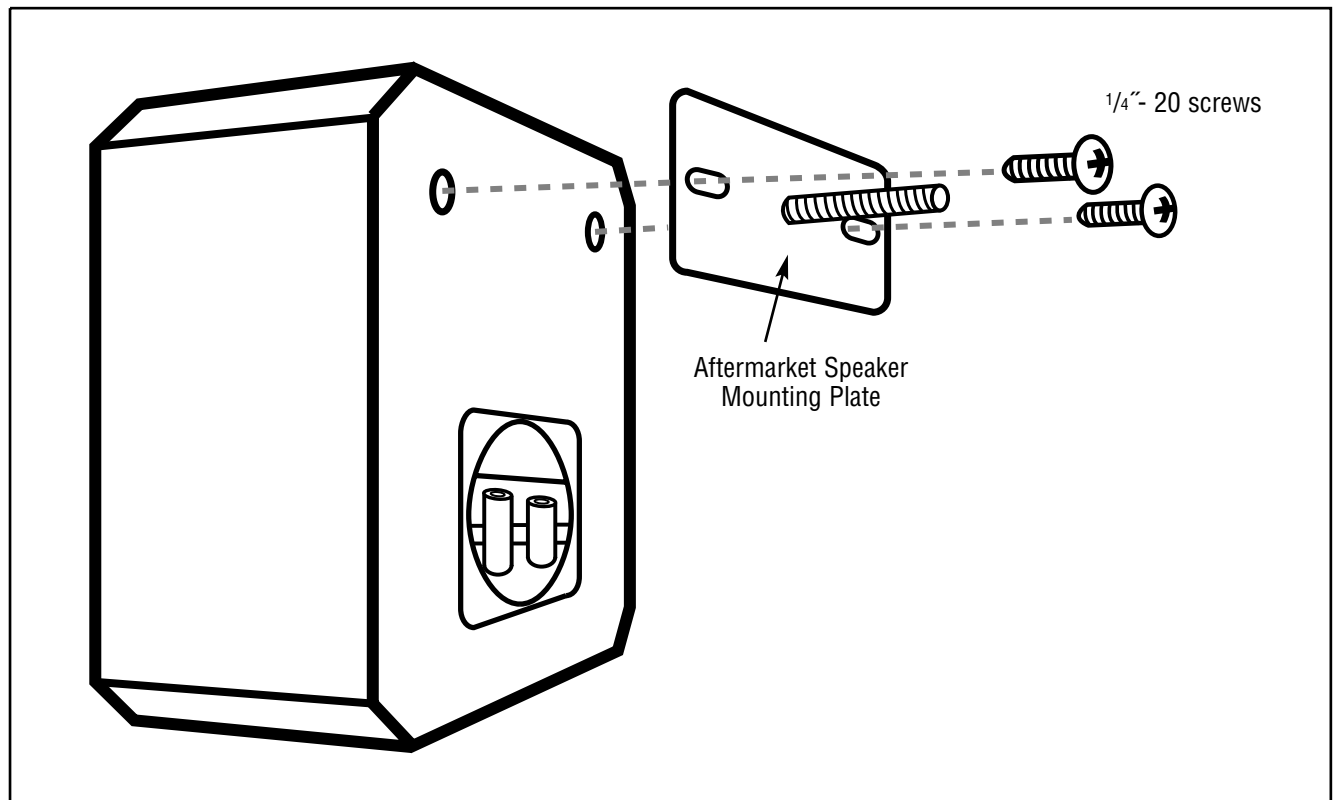


Figure 3: Using an Aftermarket Swivel Mount

Setting Up Your New KAS-103, KAS-203, or KAS-303 System Speakers

CAUTION: Make sure that you consult your amplifier's owner's manual regarding speaker setup. Your amplifier should be turned off throughout this procedure.

C SETUP

KAS-103 SETUP

IMPORTANT: Make certain all stereo system components including the subwoofer are turned OFF before proceeding.

Refer to Figure 4 for proper connection. Use the supplied male RCA to RCA line level cable to connect the subwoofer to the receiver. The satellites connect to the receiver as shown with the red/black wires supplied. Be sure to maintain proper polarity when connecting the satellites and center. Make sure the red wire goes to the (+) positive and the black wire goes to the (-) negative on both the receiver and speaker.

5

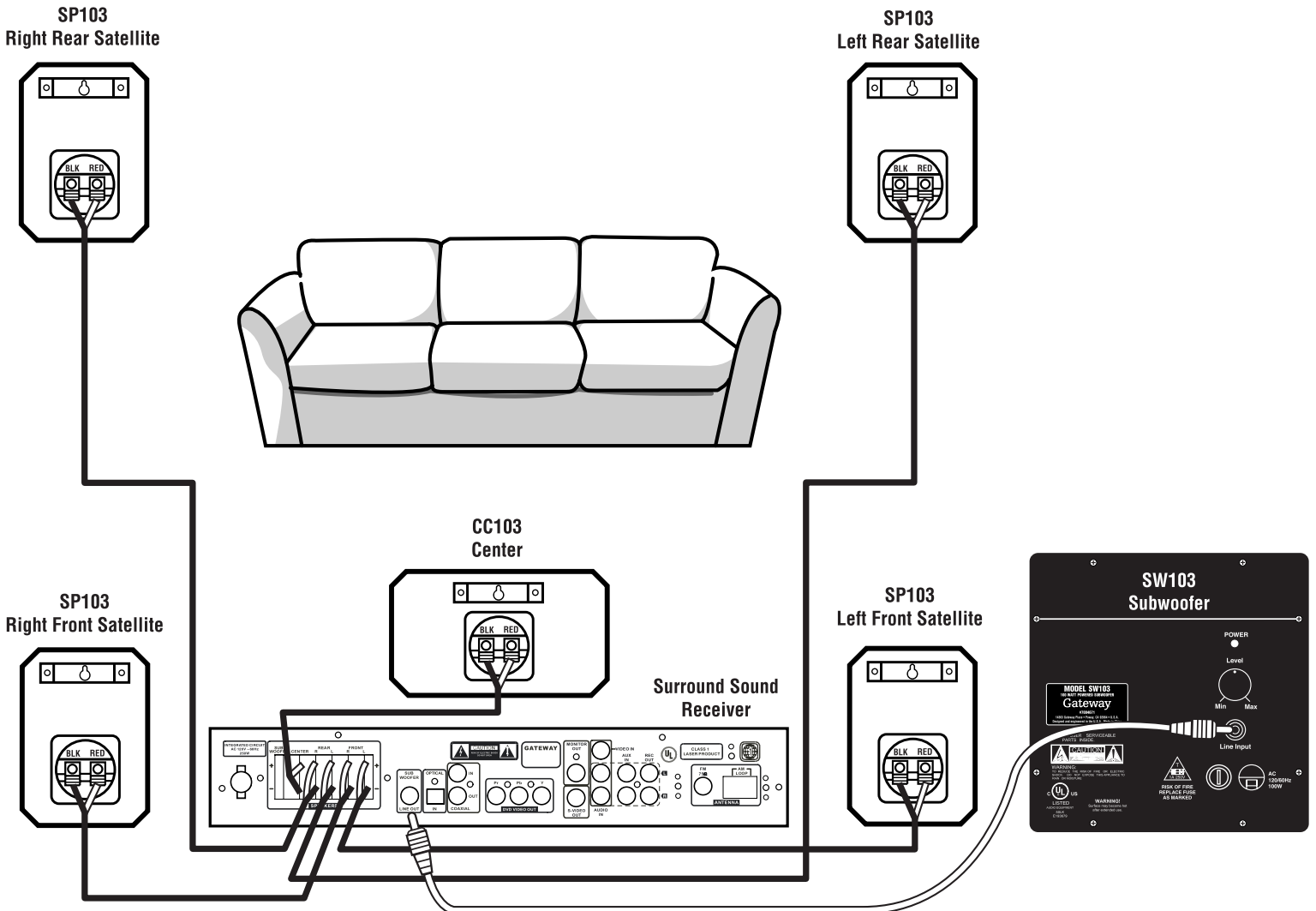


Figure 4: KAS-103 Setup

KAS-203, KAS-303 Setup

IMPORTANT: Make certain all stereo system components including the subwoofer are turned OFF before proceeding.

Refer to Figures 5 and 6 for proper connection. Use the supplied male RCA to RCA line level cable to connect the subwoofer to the receiver. The satellites connect to the receiver as shown

with the red/black wires supplied with your system. Be sure to maintain proper polarity when connecting the satellites and center. Make sure the red wire goes to the (+) positive and the black wire goes to the (-) negative on both the receiver and speaker. *Note: The rear center satellite is only used with the KAS-303 System.*

CC303 Center

Setting up the center and front satellites is different than other standard speakers. Follow

the wiring diagram in Figures 5 and 6 closely to produce the correct setup and to obtain "Ventriloquist" operation. When wired as shown and the switch on the upper center of the center channel speaker is in the UP position you will experience the "Ventriloquist" effect. This causes the small front satellites to effectively sound like much larger bookshelf speakers. When the switch is in the DOWN position, the "Ventriloquist" function will be turned off and the front satellites perform as a standard 2 1/2" speaker.

6

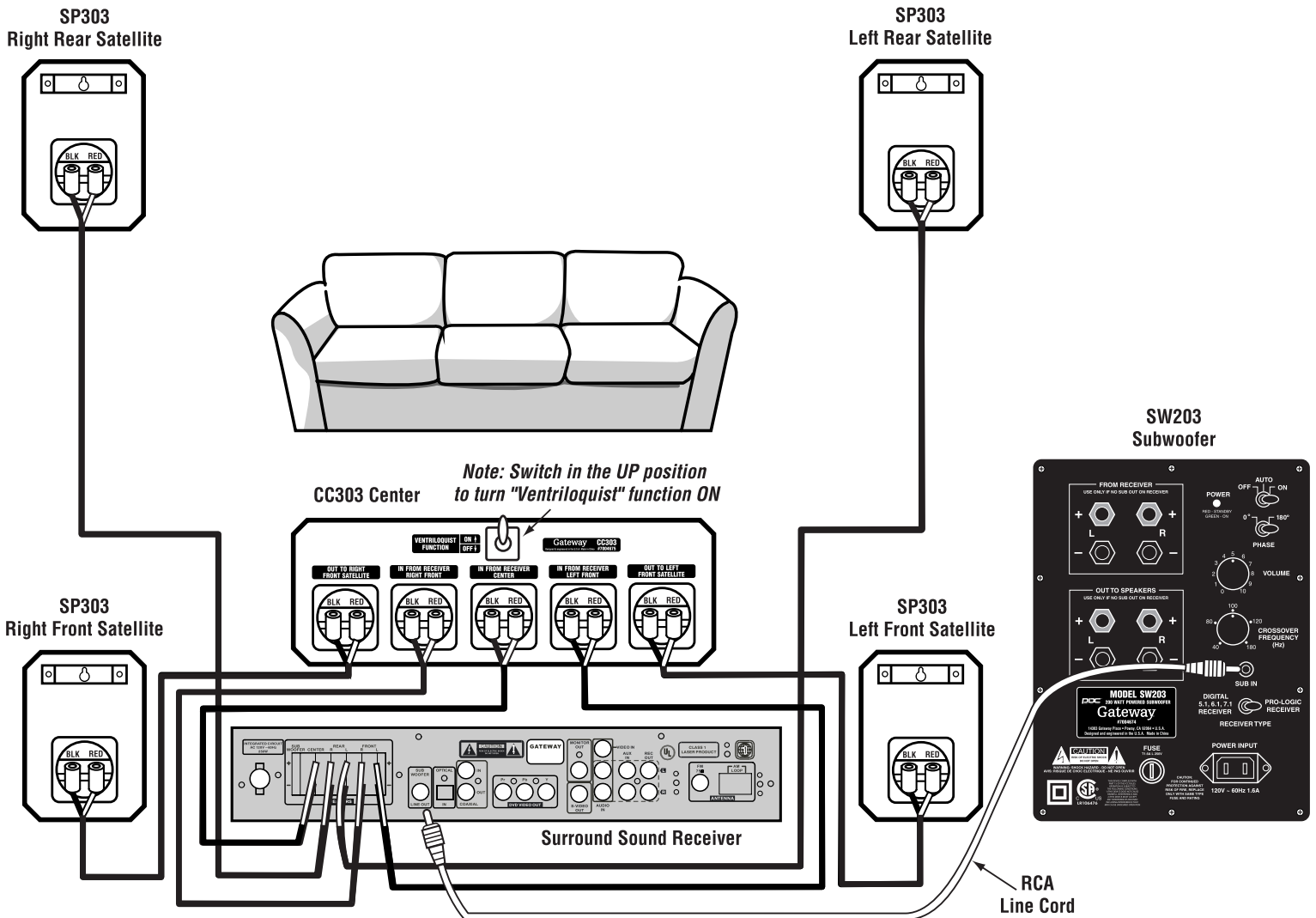


Figure 5: KAS-203 Setup

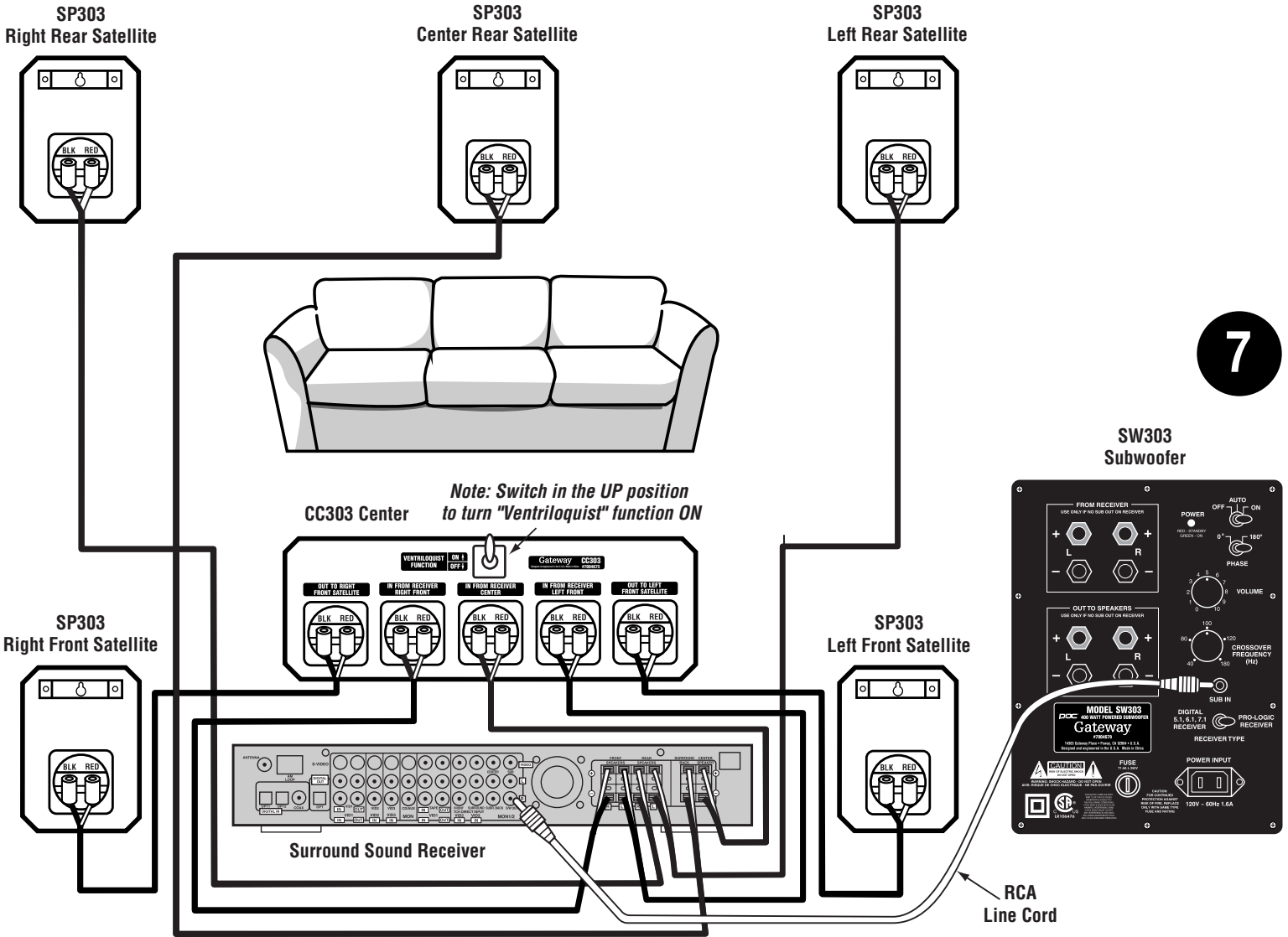


Figure 6: KAS-303 Setup

D

INITIAL LISTENING TEST

- 1. Double-check all connections.
- 2. Make sure that the volume controls on both the subwoofer and

your receiver/integrated amp/preamp are turned all the way down (fully counter-clockwise).

- 3. Turn on your receiver. THEN turn on the subwoofer. Confirm that the subwoofer's green POWER indicator is glowing. If it isn't, check the power connections between the subwoofer and the wall socket.
- 4. Play a musical selection that you are familiar with. Pick a song that has regular low bass beats. Advance the

receiver's volume control up to a normal listening level. If you don't hear sound through your main speakers, turn off the system and check connections.

- 5. If sound is coming out of your main speakers, turn the subwoofer's VOLUME control clockwise until you hear noticeable additional bass. If you don't hear bass by the time you have advanced the subwoofer's VOLUME control halfway, turn off the system and check connections.

8

- 6. Some digital receivers only send a subwoofer out signal when playing a DVD or movie in the digital mode. In the 2-channel (stereo music) mode, no subwoofer out signal is sent to the subwoofer. You may need to set your main speakers to “small” mode in your receiver setup to get the receiver’s subwoofer out to turn on. Check your receiver’s owner’s manual for setup and subwoofer operation.
- 7. Adjust the subwoofer’s VOLUME control until you are satisfied with the amount of bass. You may want to try several different tapes, compact discs or DVDs while determining how high to adjust the subwoofer VOLUME. The amount of bass varies from disc to disc and between different types of music.
- 8. After you are satisfied with the output of your subwoofer, you can make all your volume settings through your main stereo system’s volume control. The only time you might want to re-adjust the subwoofer’s VOLUME is when you encounter a musical selection that has abnormally low – or high – bass.

You can leave the SW103 in the ON mode, and your SW203 or SW303 turned on and in AUTO mode when not in use. It does not draw much power in this state and will be ready to add low bass the moment you begin to play music. The SW103, SW203, or SW303 will automatically go into STANDBY mode after 10 to 20 minutes, when no music is playing.

However, if you’re not using your stereo system for a long period of time (such as when you’re on vacation), unplug the subwoofer from the 120 volt AC wall plug.

A Word About Power Handling

Remember, most amplifiers put out their full rated power well before the volume control is turned all the way up! If your speakers distort when you play them loud, turn down the amplifier.

Caring for Your Gateway® Speakers

The subwoofer and satellite cabinets are finished with a very high quality polymer laminate covering that is both attractive and serves as an excellent protection for the wood cabinet. The system can be cleaned with a damp, soft cloth or you may use a high-quality furniture polish to maintain the original luster.

E

Troubleshooting and Service

Gateway® speakers do not use external fuse protection or circuit breakers because these devices tend to impede sound quality and may only protect the speaker to a marginal degree. Rather, we use components and designs of the highest caliber as an effective method of protecting the speaker. However, no amount of protection will prevent damage caused by defective associated equipment or extreme abuse.

If you have a problem, first try to determine if it is indeed a speaker problem. Determine whether the problem exists in both speakers. If its does, the problem likely originates in some other component in the system. If the problem is in one speaker only, reverse your speaker leads (left to right, right to left). If the problem moves to the other channel, your problem is not in the speakers.

Once you have determined that you have a speaker problem, contact your dealer for authorized factory service information. If you are unable to contact your dealer, if your dealer is unable to solve your problem, or if you have any questions or comments regarding your Gateway® Speaker System, contact us at:

Gateway

1-800-846-2301

Web site: www.gateway.com

Describe the problem in detail. We will decide on the most appropriate course of action.

F

KAS-103, KAS-203, KAS-303 SYSTEM SPECIFICATIONS

Satellites

Video-shielded, 2½” (6.4 cm) full range driven

Enclosure: Black vinyl laminated MDF

Dimensions: 5¾” (14.6 cm) H x 3⅞” (9.8 cm) W x 3½” (8.9 cm) D

Center-Channels

CC103: Video-shielded, two 2½” (6.4 cm) full range drivers

CC303: Video-shielded, two 4” (10.2 cm) x 6” (15.2 cm) woofers, one 2½” (6.4 cm) mid-high driver

Enclosure: Black vinyl laminated MDF

Dimensions (CC103): 3⅝” (9.2 cm) H x 7” (17.8 cm) W x 3¾” (9.5 cm) D

Dimensions (CC303): 5¼” (13.3 cm) H x 16½” (41.9 cm) W x 8¾” (22.2 cm) D

Powered Subwoofers

See subwoofer owner’s manual

System Specifications (including subwoofers)

System Frequency Response (KAS-103 System): 36 Hz.- 18.5kHz +/- 3dB

System Frequency Response (KAS-203 System): 30 Hz.- 18.5kHz +/- 3dB

System Frequency Response (KAS-303 System): 23 Hz.- 18.5kHz +/- 3dB

Characteristic Sensitivity: 90 dB @ 1 watt, 1 meter

Nominal Impedance: 8 ohms